

MULTIPLE-LEVEL LOGIC OPTIMIZATION

© *Giovanni De Micheli*

Stanford University

Outline

© GDM

- Representations.
- Taxonomy of optimization methods:
 - Goals: area/delay.
 - Algorithms: algebraic/Boolean.
 - Rule-based methods.
- Examples of transformations.
- Boolean and algebraic models.

Motivation

© GDM

- Multiple-level networks:
 - Semi-custom libraries.
 - Gates versus macros (PLAs):
 - * More flexibility.
 - * Better performance.
- Applicable to a variety of designs.

Circuit modeling

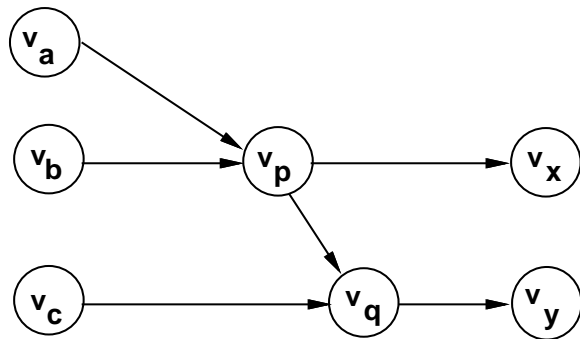
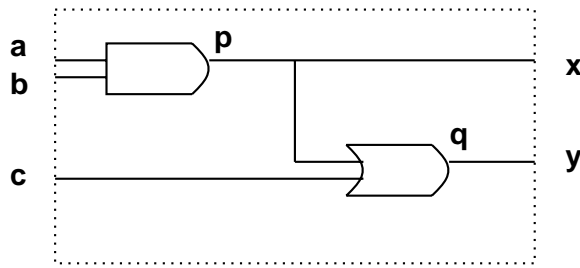
© GDM

- Logic network:
 - Interconnection of logic functions.
 - Hybrid structural/behavioral model.

- Bound (mapped) networks:
 - Interconnection of logic gates.
 - Structural model.

Example of bound network

© GDM



Example of network

© GDM

$$p = ce + de$$

$$q = a + b$$

$$r = p + a'$$

$$s = r + b'$$

$$t = ac + ad + bc + bd + e$$

$$u = q'c + qc' + qc$$

$$v = a'd + bd + c'd + ae'$$

$$w = v$$

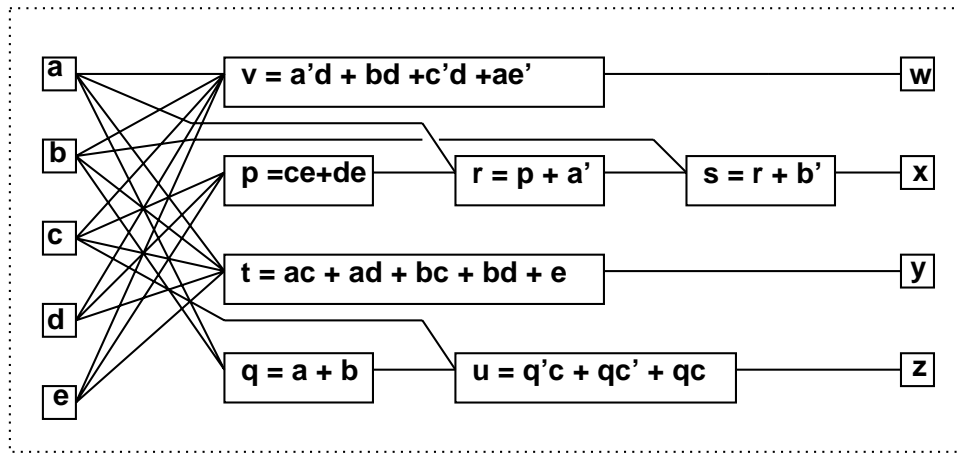
$$x = s$$

$$y = t$$

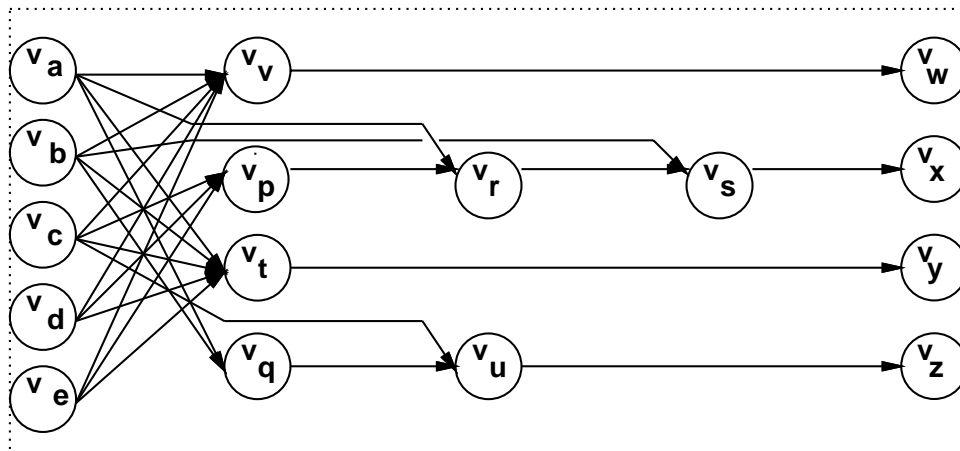
$$z = u$$

Example of network

© GDM



(a)



(b)

Example circuit terminal behavior

© GDM

$$\mathbf{f} = \begin{bmatrix} a'd + bd + c'd + ae' \\ a' + b' + c + d \\ ac + ad + bc + bd + e \\ a + b + c \end{bmatrix}$$

Network optimization

© GDM

- Minimize area (power) estimate:
 - subject to delay constraints.
- Minimize maximum delay:
 - subject to area (power) constraints.
- Minimize power consumption.
 - subject to delay constraints.
- Maximize testability.

Estimation

© GDM

- Area:
 - Number of literals.
 - Number of functions/gates.
- Delay:
 - Number of stages.
 - Refined gate delay models.
 - Sensitizable paths.

Problem analysis

© GDM

- Multiple-level optimization is hard.
- Exact methods:
 - Exponential complexity.
 - Impractical.
- Approximate methods:
 - Heuristic algorithms.
 - Rule-based methods.

Strategies for optimization

© GDM

- Improve circuit step by step.
 - Circuit *transformations*.
- Preserve network behavior.
- Methods differ in:
 - *Types* of transformations.
 - *Selection* and *order* of transformations.

Example elimination

© GDM

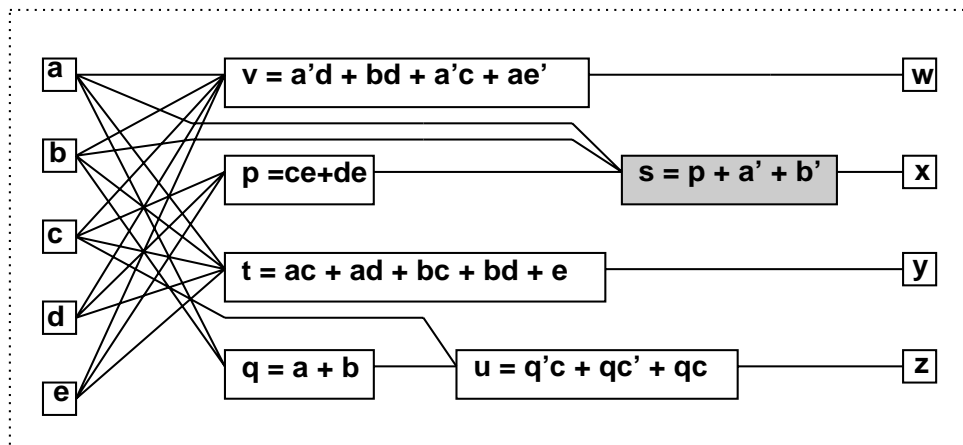
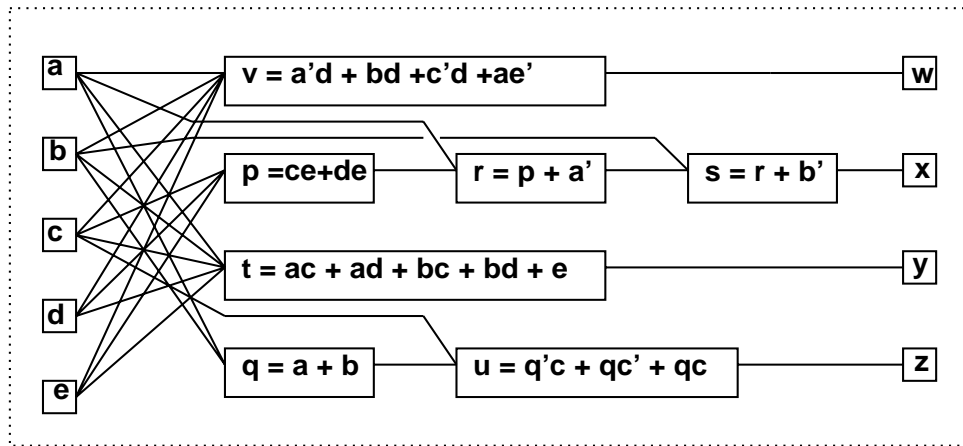
- Eliminate one function from the network.
- Perform variable substitution.
- Example:

$$- s = r + b'; \quad r = p + a'$$

$$- \Rightarrow s = p + a' + b'.$$

Example elimination

© GDM



Example decomposition

© GDM

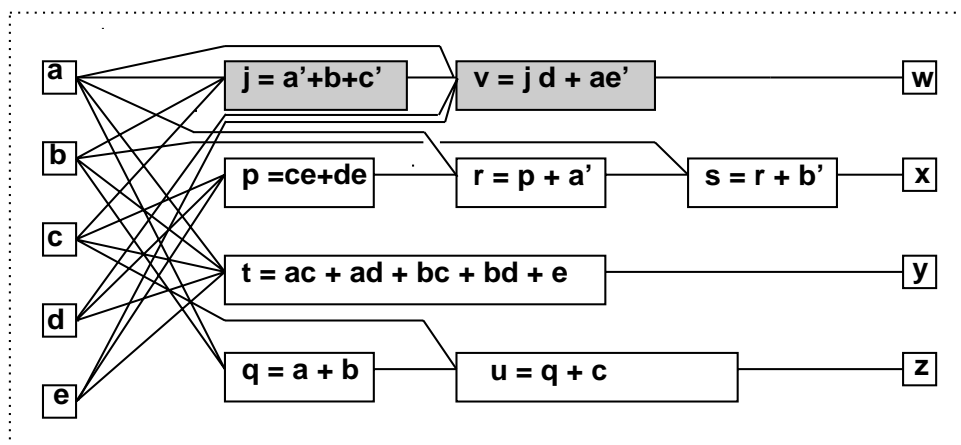
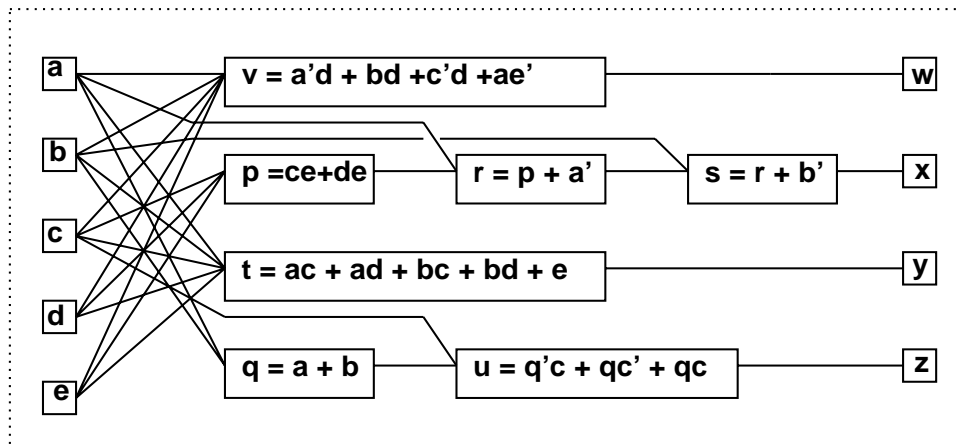
- Break one function into smaller ones.
- Introduce new vertices in the network.
- Example:

$$- v = a'd + bd + c'd + ae'.$$

$$- \Rightarrow j = a' + b + c'; v = jd + ae'$$

Example decomposition

© GDM



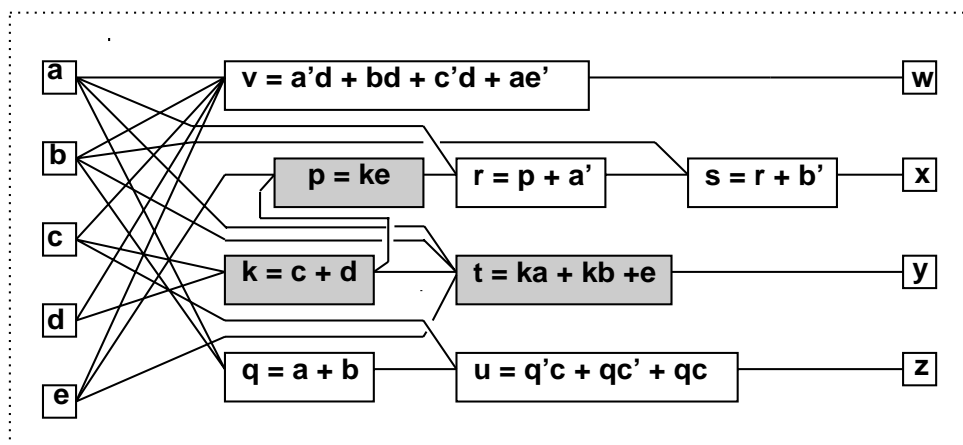
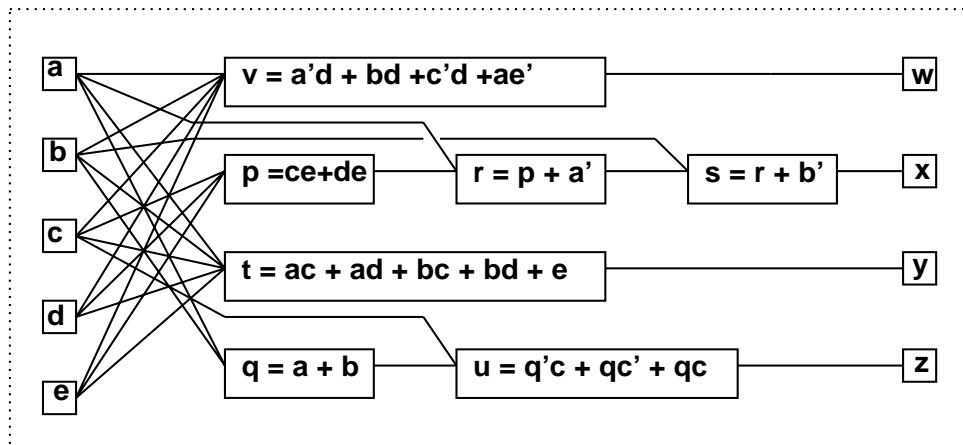
Example extraction

© GDM

- Find a common sub-expression of two (or more) expressions.
- Extract sub-expression as new function.
- Introduce new vertex in the network.
- Example:
 - $p = ce + de; \quad t = ac + ad + bc + bd + e;$
 - $p = (c + d)e; \quad t = (c + d)(a + b) + e;$
 - $\Rightarrow k = c + d; \quad p = ke; \quad t = ka + kb + e;$

Example extraction

© GDM



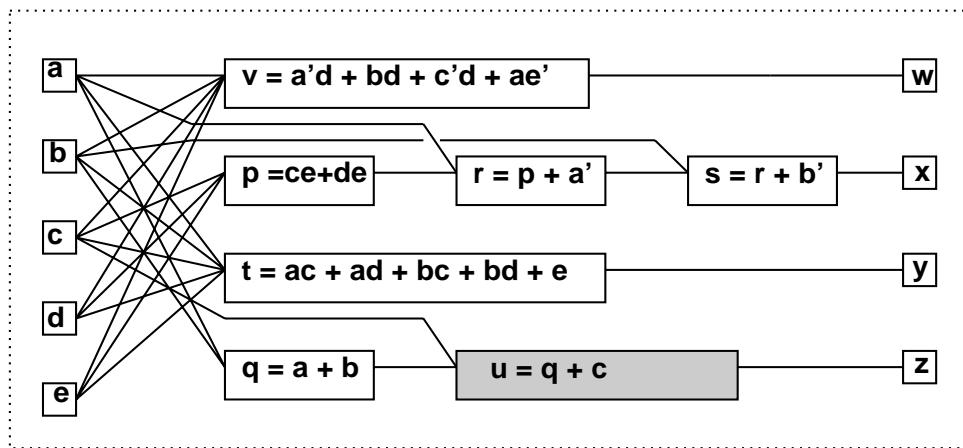
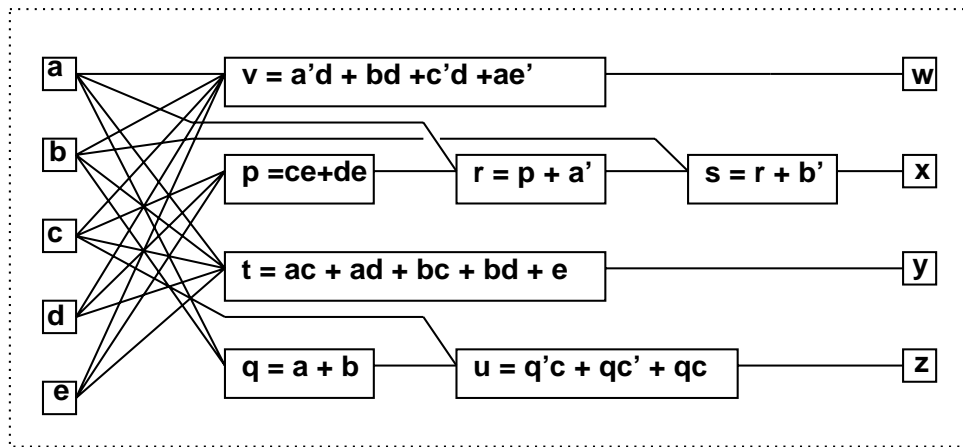
Example simplification

© GDM

- Simplify a local function.
- Example:
 - $u = q'c + qc' + qc;$
 - $\Rightarrow u = q + c;$

Example simplification

© GDM



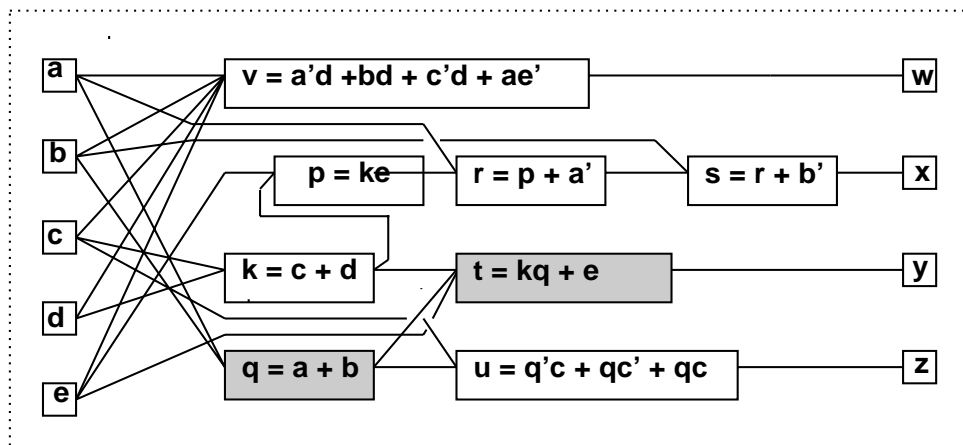
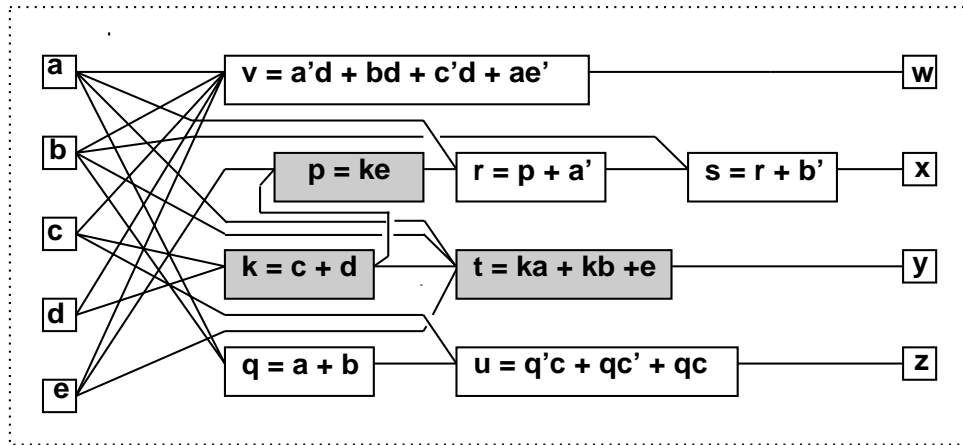
Example substitution

© GDM

- Simplify a local function by using an additional input that was not previously in its support set.
- Example:
 - $t = ka + kb + e.$
 - $\Rightarrow t = kq + e$
 - Because $q = a + b.$

Example substitution

© GDM

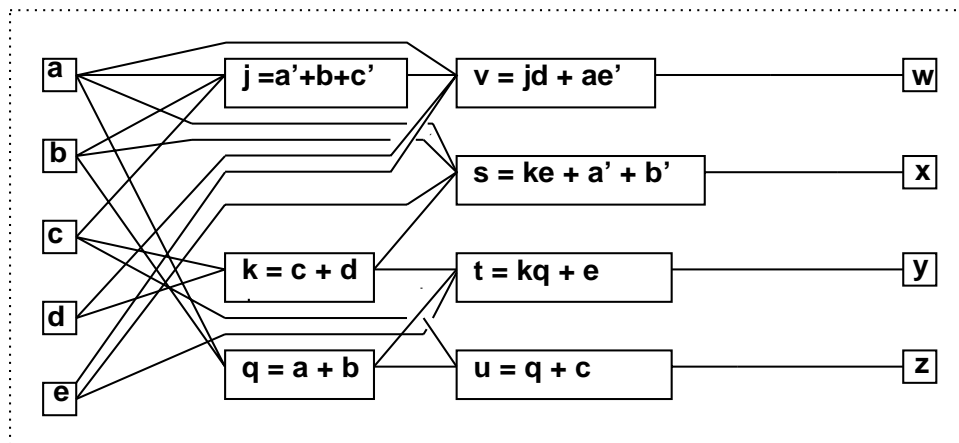


Example

sequence of transformations

© GDM

$$\begin{aligned}j &= a' + b + c' \\k &= c + d \\q &= a + b \\s &= ke + a' + b' \\t &= kq + e \\u &= q + c \\v &= jd + ae'\end{aligned}$$



Optimization approaches

© GDM

- *Algorithmic* approach:
 - Define an algorithm for each transformation type.
 - Algorithm is an *operator* on the network.
- *Rule-based* approach:
 - Rule-data base:
 - * Set of pattern pairs.
 - Pattern replacement driven by rules.

Algorithmic approach

© GDM

- Each operator has well-defined properties:
 - Heuristic methods still used.
 - Weak optimality properties.
- Sequence of operators:
 - Defined by *scripts*.
 - Based on experience.

Example elimination algorithm

© GDM

- Set a threshold k (usually 0).
- Examine all expressions.
- Eliminate expressions if the increase in literals does not exceed the threshold.

Example elimination algorithm

© GDM

```
ELIMINATE(  $G_n(V, E)$  ,  $k$ ){  
  repeat {  
     $v_x$  = selected vertex with value  $< k$ ;  
    if ( $v_x = \emptyset$ ) return;  
    replace  $x$  by  $f_x$  in the network;  
  }  
}
```

Example MIS/SIS rugged script

© GDM

- sweep; eliminate -1
- simplify -m nocomp
- eliminate -1
- sweep; eliminate 5
- simplify -m nocomp
- resub -a
- fx
- resub -a; sweep
- eliminate -1; sweep
- full-simplify -m nocomp

Boolean and algebraic methods

© GDM

- Boolean methods:
 - Exploit properties of logic functions.
 - Use *don't care* conditions.
 - Complex at times.

- Algebraic methods:
 - View functions as *polynomials*.
 - Exploit properties of polynomial algebra.
 - Simpler, faster but weaker.

Example

© GDM

- Boolean substitution:

- $h = a + bcd + e; q = a + cd$

- $\Rightarrow h = a + bq + e$

- Because $a + bq + e = a + b(a + cd) + e = a + bcd + e.$

- Algebraic substitution:

- $t = ka + kb + e.$

- $\Rightarrow t = kq + e$

- Because $q = a + b.$

Summary

© GDM

- Multilevel logic synthesis is performed by step-wise transformations.
- Algorithms are based on both the Boolean and the algebraic models.
- Rule-based systems.